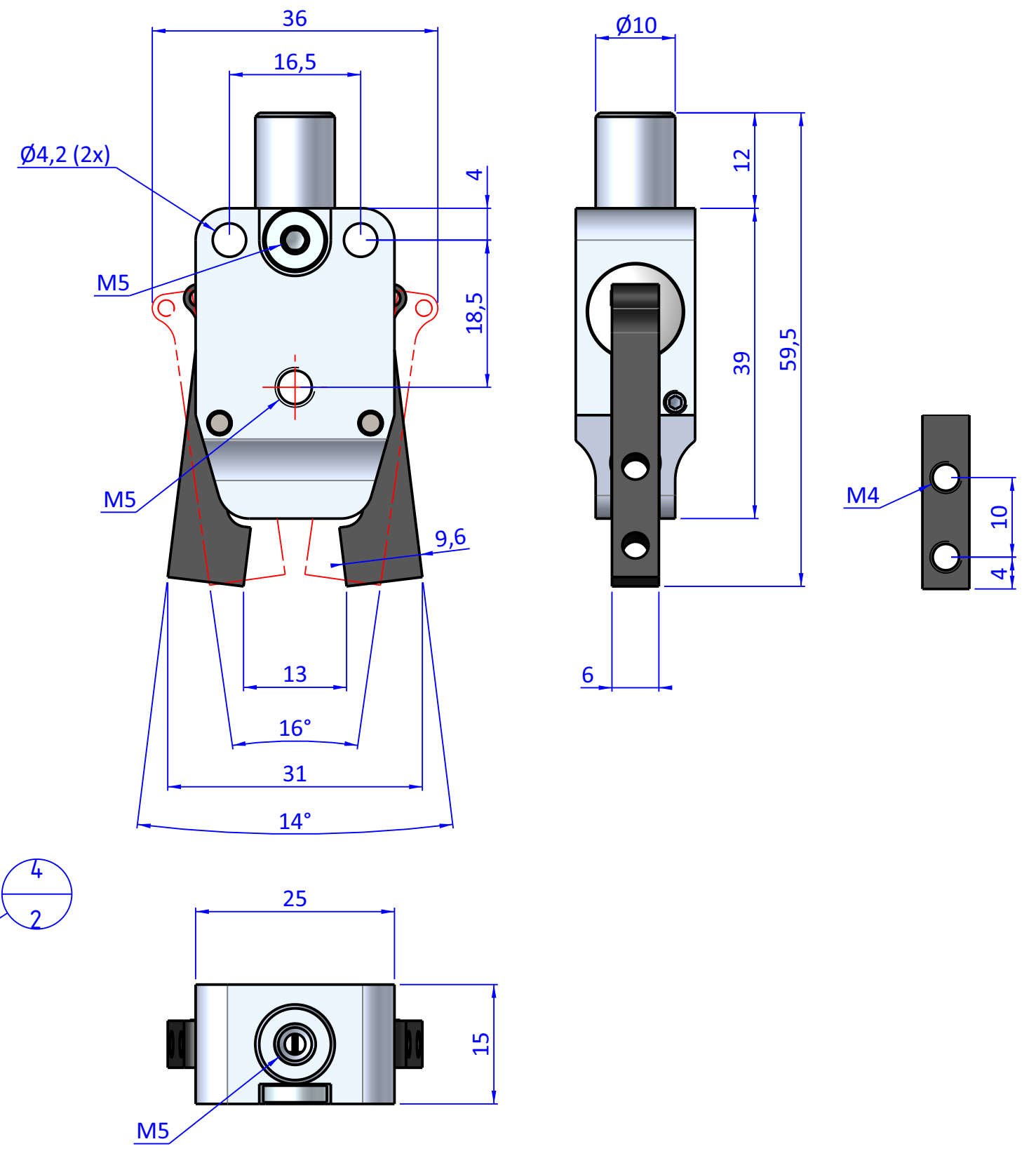
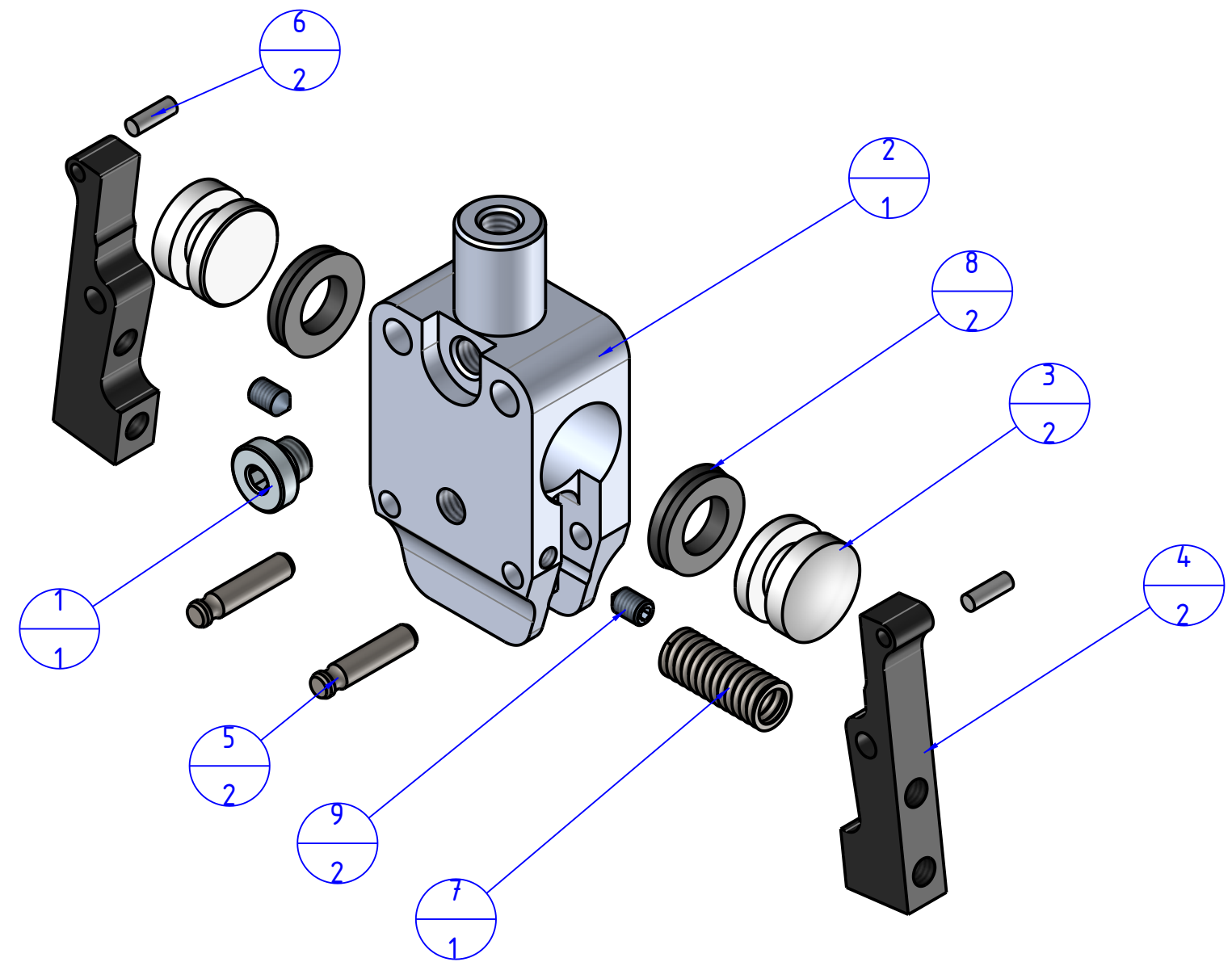



Item	Name	Q.ty
1	CA.08.14.013	1
2	GZA.10.12.1.L	1
3	GZA.10.12.2	2
4	GZA.10.12.4	2
5	GZA.10.12.5	2
6	GZA.10.12.9	2
7	M.6x25.SH	1
8	PSP.1269255	2
9	V.STM3X5	2



THE PROPERTY OF THE DRAWING IS ESTABLISHED BY LAW. IT IS FORBIDDEN TO PRODUCE OR SHOW IT TO THIRD PART. WITHOUT A WRITTEN AGREEMENT.

Format A3
UNI 936-76

 FPS FPSERVICES AUTOMATION		DESIGNED FROM		REVIEW
		FPS Automation		A
GENERAL TOLERANCE		DATE	WEIGHT	
UNI - ISO 2768		06/10/2023	0,033kg	
CLASSE f		CODE		
		CA.GZA.10.12.C		CA.GZA.10.12.C